

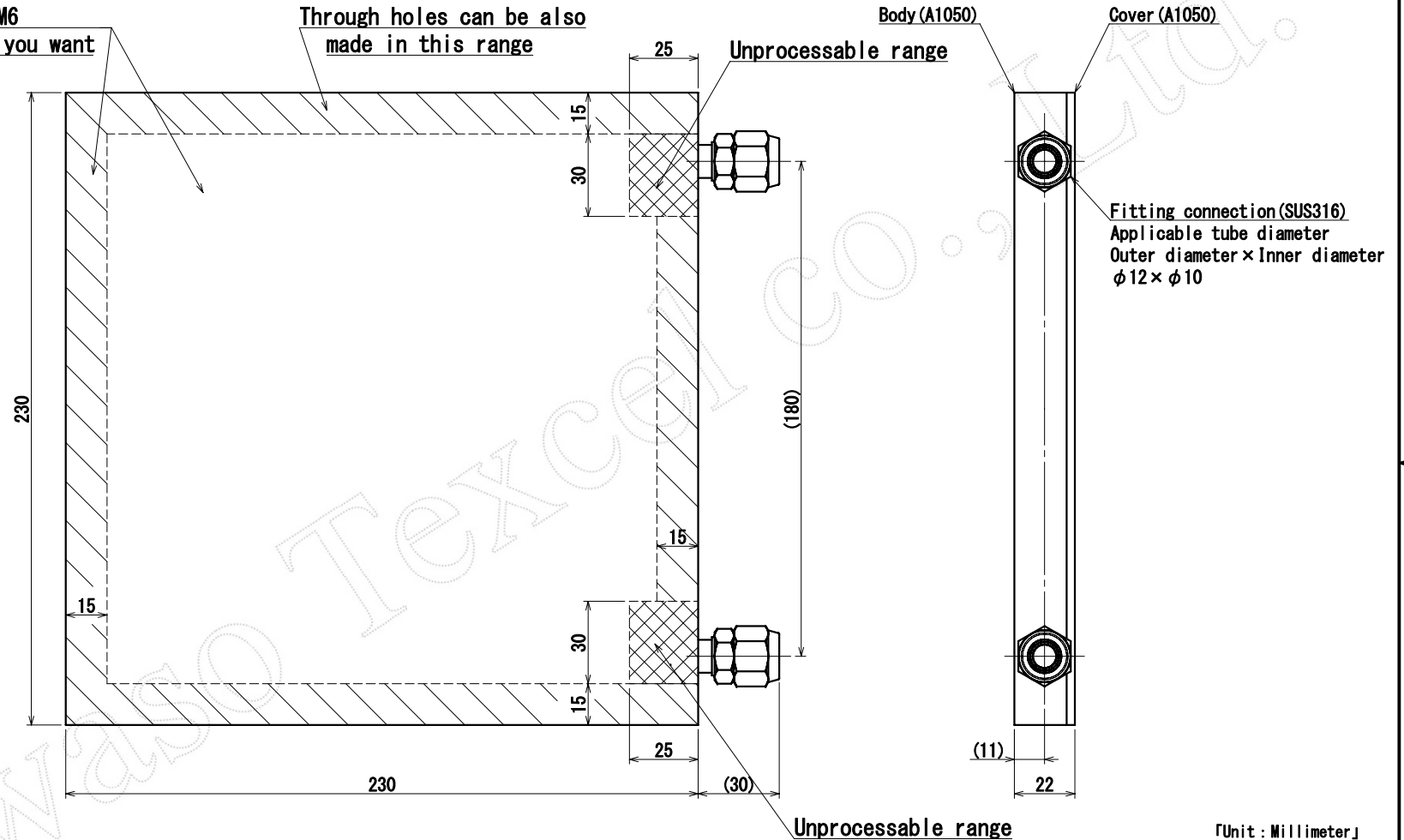
Product Name	Aluminium Liquid Cold Plate
Model number	HS-UA230
Inquiry phone number	Osaka CMB Sales office +81-6-6532-1301 Kawaso Texcel Co., Ltd

Products will be shipped after making tap holes and through holes according to your required mounting positions. Please inform us of your requirements.

ver. 1. 0. 3

Tap holes from M3 to M6 can be made wherever you want

Through holes can be also made in this range



Unit : Millimeter  
Weight : about 2.9kg

### Specifications

- ※There will be tool marks on the cooling surface.
- ※In order to ensure heat sink performance, surface flatness and parallelism of the product are set to 0.05 mm or less.
- ※Commercially available bolts (JIS B0209-1, classification: middle) can be used for threaded positions.
- ※There is a step (approx. 0.5 to 1.0 mm) at the joint between the body and the cover.  
However, the cover does not extend outside of the body.

### Handling Precautions

- ※Pure water or antifreeze containing corrosion inhibitor is recommended for coolant.
- ※Even when pure water is used, it is recommended to install an ion exchange unit to prevent ion concentration increase in circulating water.
- ※Because city water and industrial water may corrode aluminium, please refrain from using.
- ※When attaching the tube to the fitting connection, please fix it with a tool so that no force is applied to the joint between the fitting connection and aluminium.
- ※Please note that dimensions and specifications may be changed without prior notice.