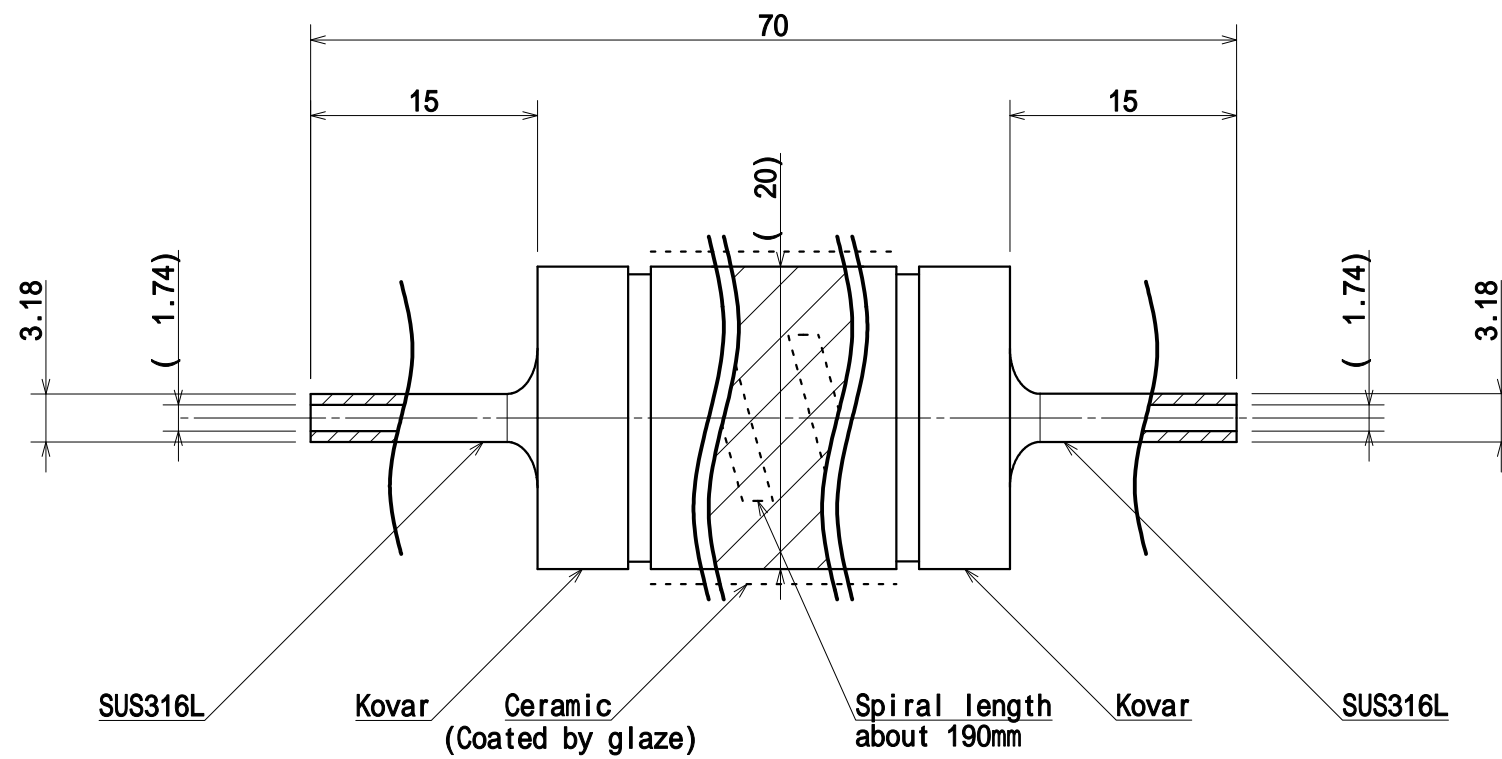


Model Name	Standard Type Ceramic Breaks (Spiral/Helical Type)
Model No.	CB-HE-1/8
Contact	osaka-sales@kawaso-texcel.co.jp Koeln-sales@kawaso-texcel.de (in Europe)
	Kawaso Texcel CO.,Ltd.



Caution:

- We recommend using non-corrosive gas.
The possibility of corrosion may increase when using other kinds of gas.
- When attaching a fitting to the SUS pipe, be sure that the brazed part is not subjected to sudden stresses such as impact, bending, and torsion. (Please use a tool to fix the fitting and twist the screw gently.)
- Please note that dimensions and specifications may change slightly without notice.

Model Name: Standard Type Ceramic Breaks (Spiral/Helical Type)

Dimensions are in Millimeter.