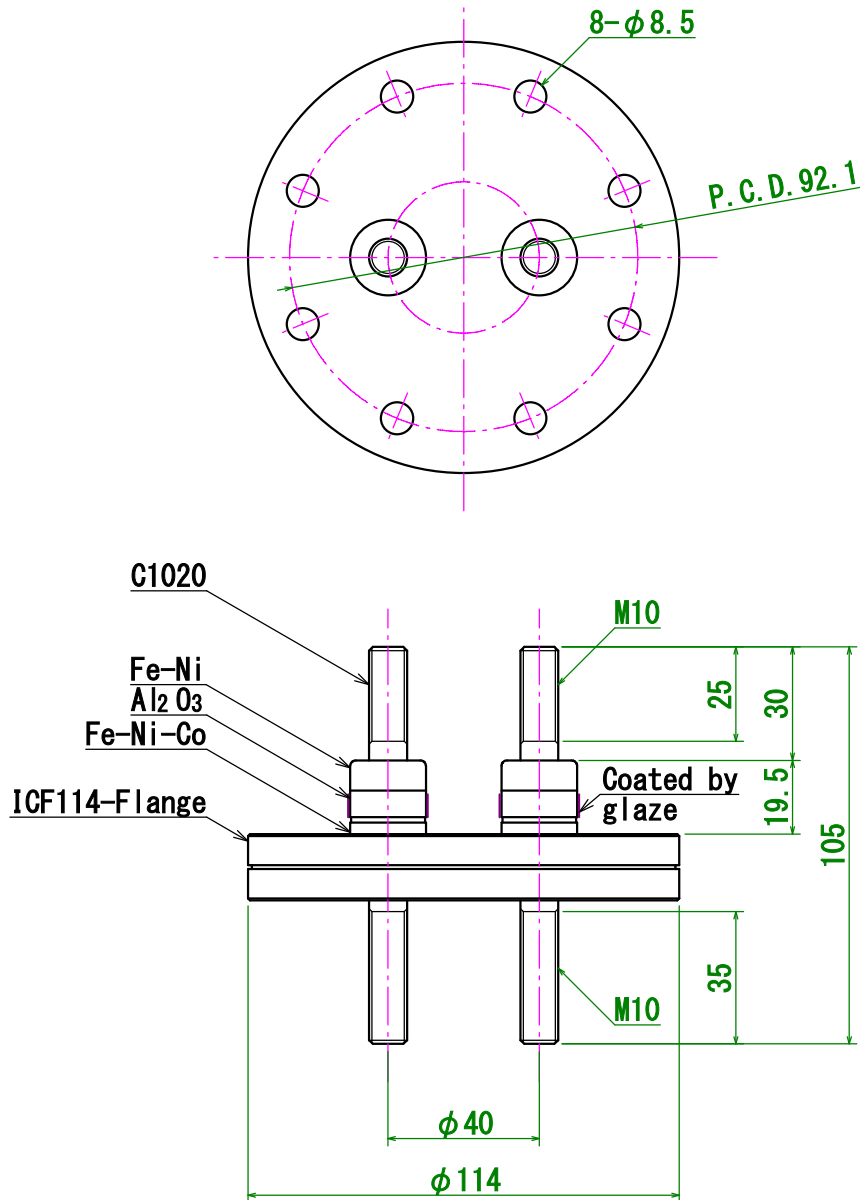


Specification	3kV-200A 2 Pins with ICF114 Flange
Model No.	PF-CM10-3kV-200A-I114-2
Contact	osaka-sales@kawaso-texcel.co.jp Koeln-sales@kawaso-texcel.de (in Europe)
	Kawaso Texcel CO., Ltd.



Model No. : PF-CM10-3kV-200A-I114-2

Caution : If you use crimp terminal and SUS nuts for the connection to the electrode of feedthrough, SUS nuts may become HIGH Temperature

Dimensions are in Millimeter.