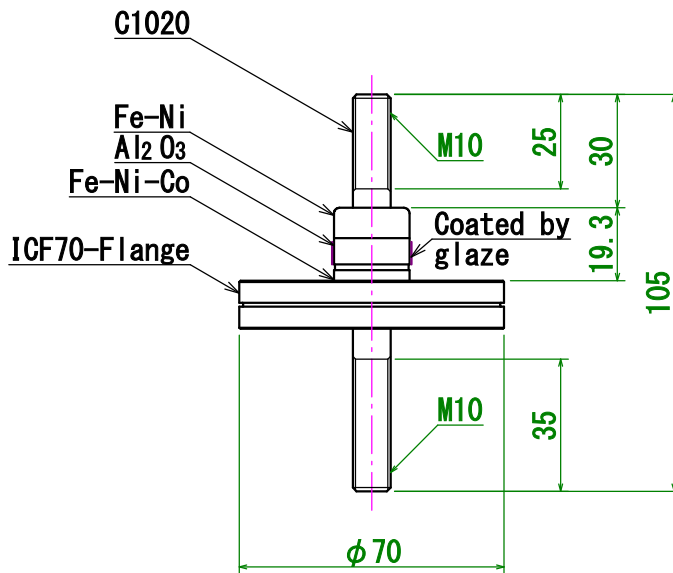
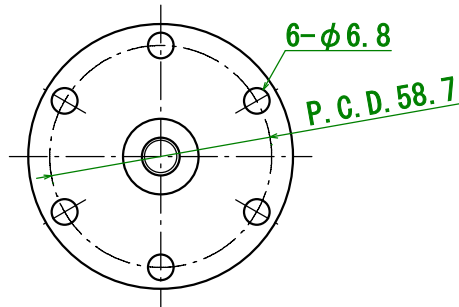


Specification	3kV-200A 1 Pin with ICF70 Flange
Model No.	PF-CM10-3kV-200A-I70-1
Contact	osaka-sales@kawasotexcel.co.jp Koeln-sales@kawasotexcel.de (in Europe)
Kawasotexcel CO., Ltd.	



Model No. : PF-CM10-3kV-200A-I70-1

Caution : If you use crimp terminal and SUS nuts for the connection to the electrode of feedthrough, SUS nuts may become HIGH Temperature

Dimensions are in Millimeter.