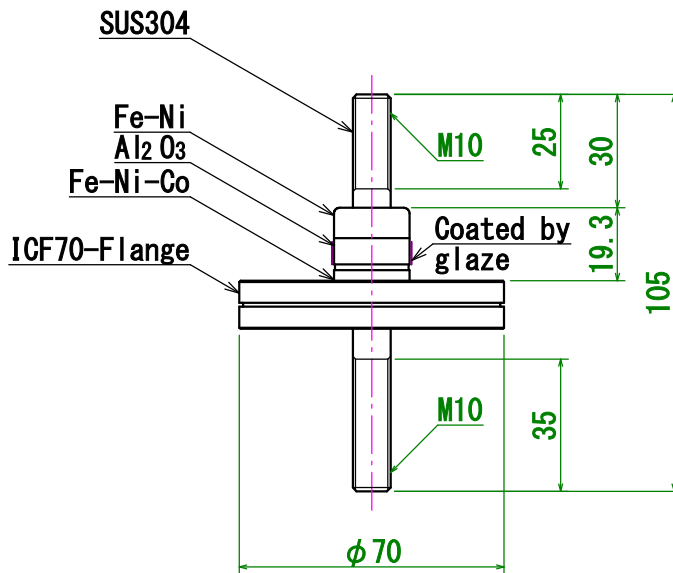
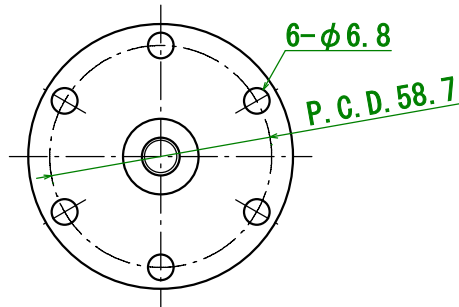


Specification	3kV-30A 1 Pin with ICF70 Flange
Model No.	PF-SM10-3kV-30A-I70-1
Contact	osaka-sales@kawasotexcel.co.jp Koeln-sales@kawasotexcel.de (in Europe)
Kawasotexcel CO., Ltd.	



Model No. : PF-SM10-3kV-30A-I70-1

Dimensions are in Millimeter.