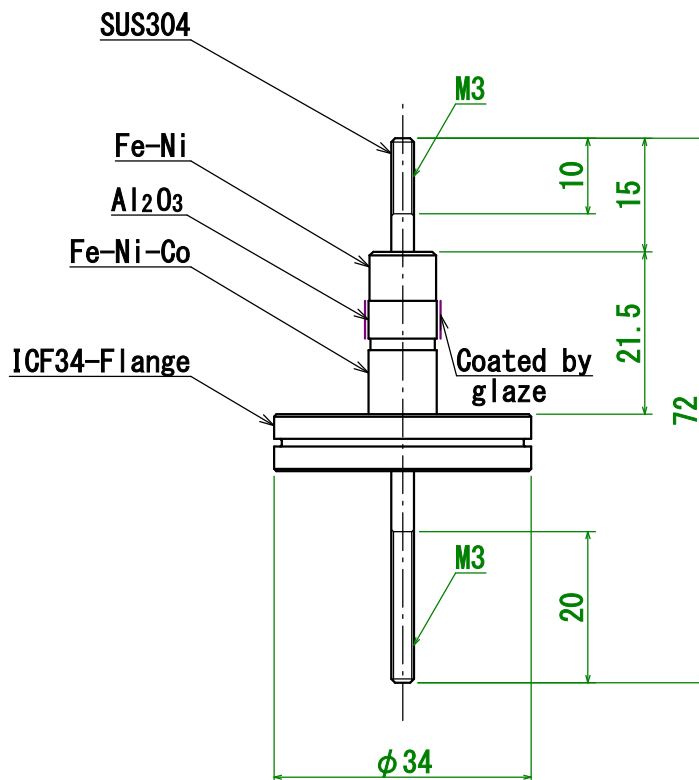
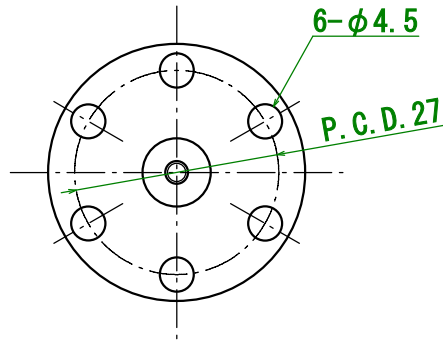


| | |
|-------------------------|---|
| Specification | 1kV-5A 1 Pin with ICF34 Flange |
| Model No. | PF-SM3-1kV-5A-I34-1 |
| Contact | osaka-sales@kawasotexcel.co.jp Koeln-sales@kawasotexcel.de (in Europe) |
| Kawaso Texcel CO., Ltd. | |



Model No. : PF-SM3-1kV-5A-I34-1

Dimensions are in Millimeter.