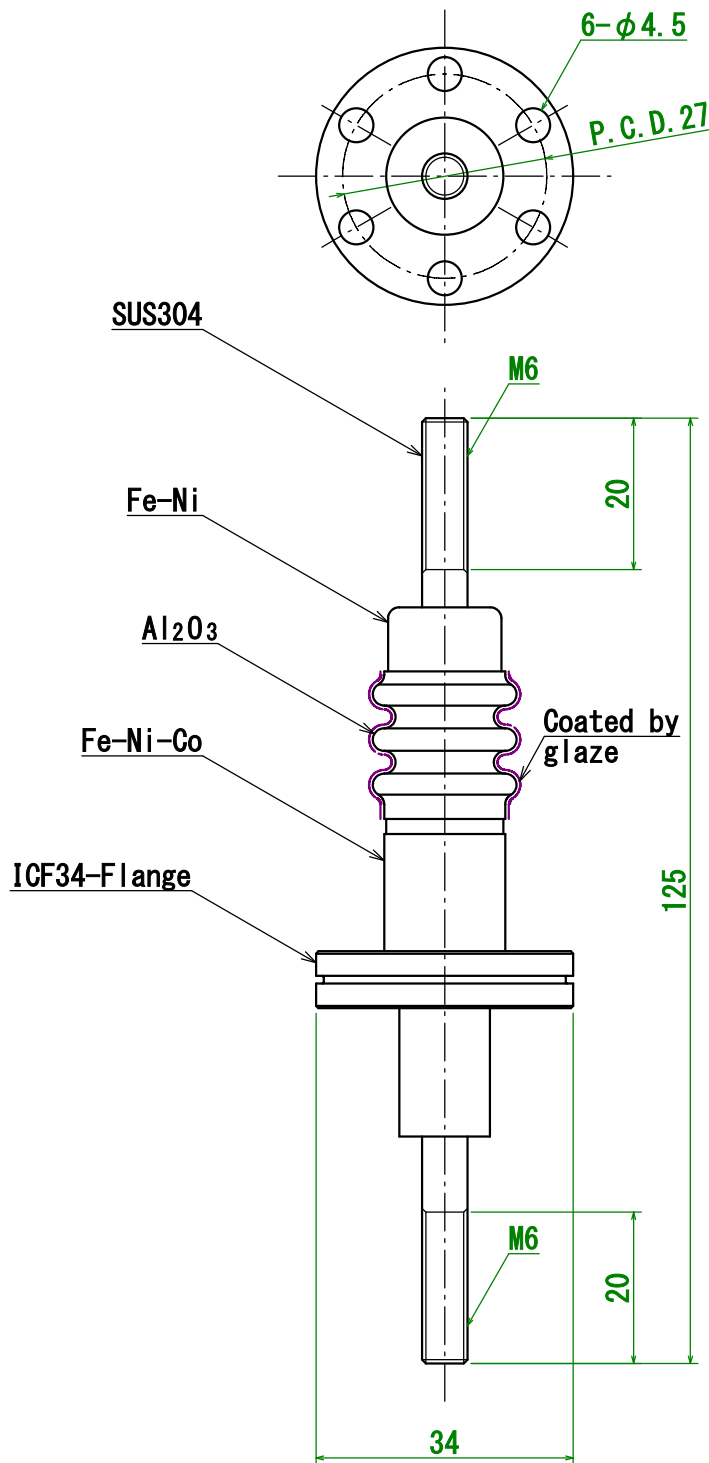


Specification	12kV-10A 1 Pin with ICF34 Flange
Model No.	PF-SM6-12kV-10A-I34-1
Contact	osaka-sales@kawaso-texcel.co.jp Koeln-sales@kawaso-texcel.de (in Europe)
Kawaso Texcel CO., Ltd.	



Model No. : PF-SM6-12kV-10A-I34-1

Dimensions are in Millimeter.