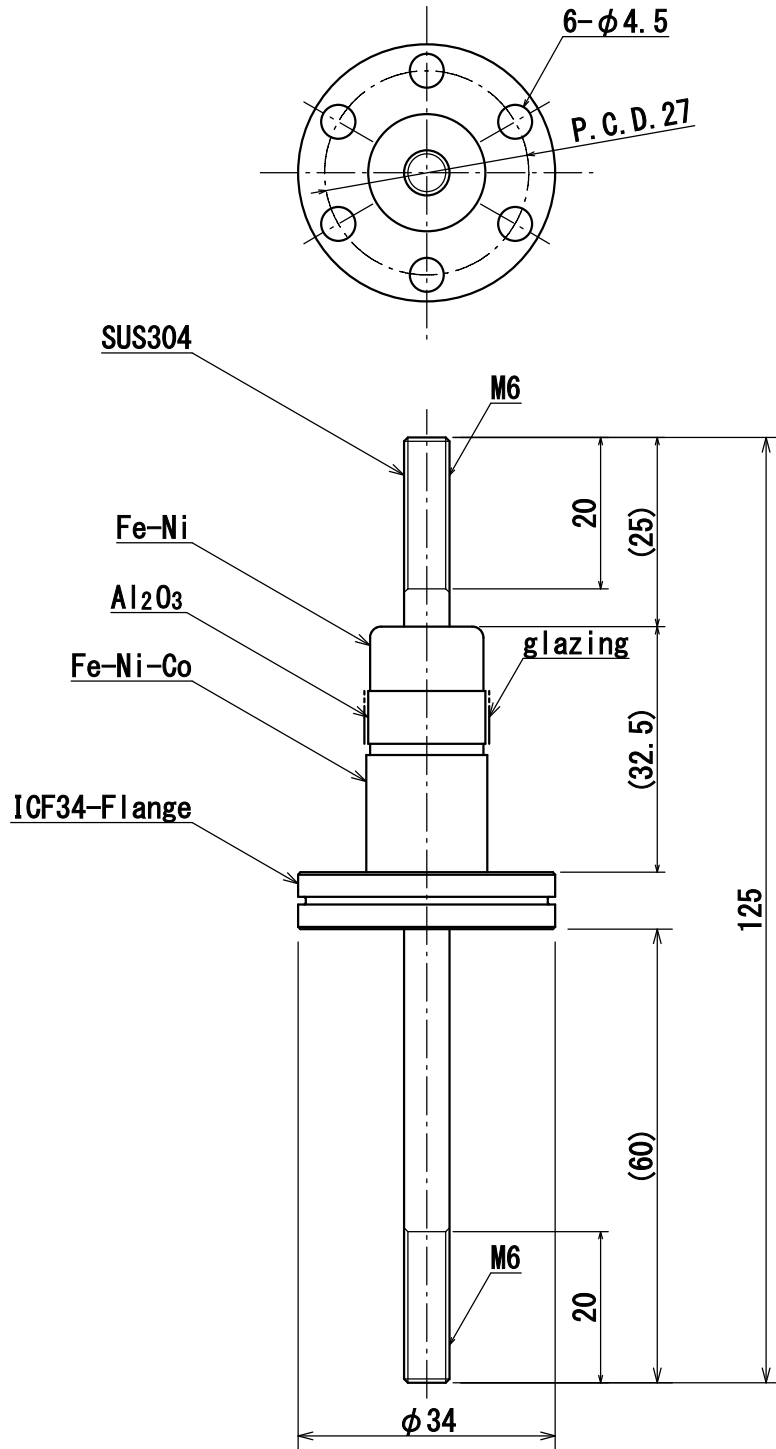


Specification	3kV-10A ICF34-Flange 1P
Catalog number	PF-SM6-3kV-10A-L-I34-1
Contact Us	osaka-sales@kawasotexcel.co.jp Koeln-sales@kawasotexcel.de (in Europe)
Kawaso Texcel CO., Ltd.	



Catalog number : PF-SM6-3kV-10A-L-I34-1